




ST 010 102 5705



- 160mm projection
- fixed spout
- rectangular spray pattern with 40 individual jets
- height of mixer 204 mm
- height up to aerator 190 mm
- hole diameter valve 32 mm
- hole diameter spout 35 mm
- rosette 60 x 47 mm
- 2x screw-in M 10 x 1 pressure hose, leak-tested
- max. flow 4 l/min
- lead-free
- This product can help a building meet the requirements of Green Building Rating Systems, e.g. LEED®, BREEAM®, DGNB

| | | |
|--|-----------------------|--------------------|
|  | Brushed Dark Platinum | ST 010 102 5705-99 |
|  | Chrome | ST 010 102 5705-00 |
|  | Brushed Platinum | ST 010 102 5705-06 |

Individual components of this set

You need the following components for this set

1x 13 715 705-99



1x 20 004 716-99



1x 20 004 715-99





CL.1 Three-hole basin mixer without pop-up waste - Brushed Dark Platinum

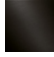
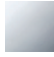


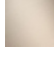

CL.1

ST 010 102 5705

ST 010 102 5705

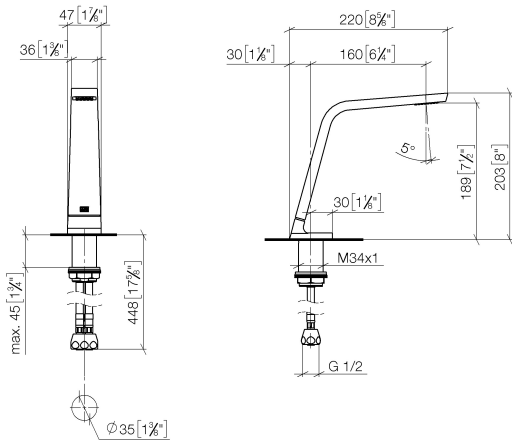


- 160mm projection
- fixed spout
- rectangular spray pattern with 40 individual jets
- height of mixer 204 mm
- height up to aerator 190 mm
- hole diameter 35 mm
- 2x screw-in M 10 x 1 pressure hose, leak-tested
- 1/2" connection
- max. flow 4 l/min
- lead-free
- This product can help a building meet the requirements of Green Building Rating Systems, e.g. LEED®, BREEAM®, DGNB

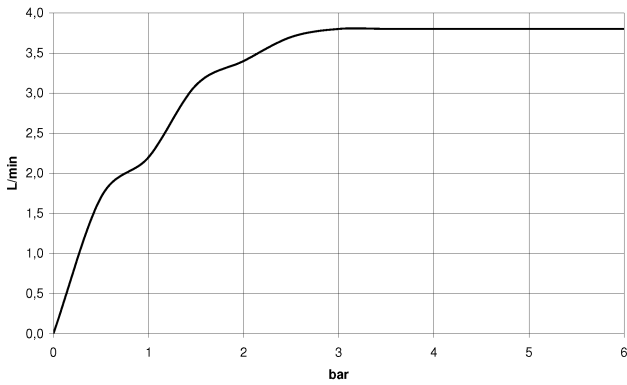
| | | |
|--|-------------------------------|---------------|
|  | Brushed Dark Platinum | 13 715 705-99 |
|  | Chrome | 13 715 705-00 |
|  | Brushed Platinum | 13 715 705-06 |
|  | Dark Chrome | 13 715 705-19 |
|  | Brushed Champagne (22kt Gold) | 13 715 705-46 |
|  | Champagne (22kt Gold) | 13 715 705-47 |

ST 010 102 5705

mm [inches]



Flow rate chart



Codes & Standards

ASME
A112.18.1/CSA
B125.1

California Energy
Commission
(CEC)

NSF/ANSI 372

NSF/ANSI/CAN
61

Water Sense

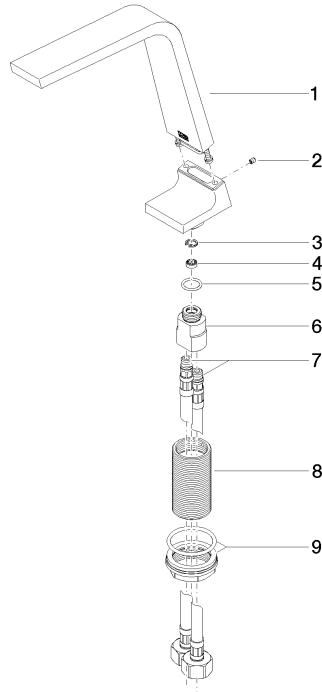


Certificates

- GDV_0400279. LGA_28686. IAPMO_N-4976. IAPMO_8834 (1). WRAS_1512011.
IAPMO_4976 (4). IAPMO_6397.

ST 010 102 5705

Parts for other finishes can be found here: [Chrome](#)



Spare parts list


| No. | Item Number | Name | Quantity used | Delivery time |
|-----|--------------------|--------------|---------------|---------------|
| 1 | 90 11 70 003 00-99 | spout | 1 | 30 |
| 2 | 09 31 11 044 90 | pin | 1 | 2 |
| 3 | 09 16 01 016 90 | ring | 1 | 2 |
| 4 | 09 23 01 034 90 | flow reducer | 1 | 2 |
| 5 | 09 14 10 130 90 | seal | 1 | 2 |
| 6 | 09 11 10 055 10 90 | connection | 1 | 2 |
| 7 | 04 30 04 019 00 90 | hose | 2 | 2 |
| 8 | 09 30 01 208 90 | connection | 1 | 2 |
| 9 | 04 23 10 044 06 90 | fixing set | 1 | 2 |

ST 010 102 5705

- hole diameter 32 mm
- rosette 60 x 47 mm
- with cold marking

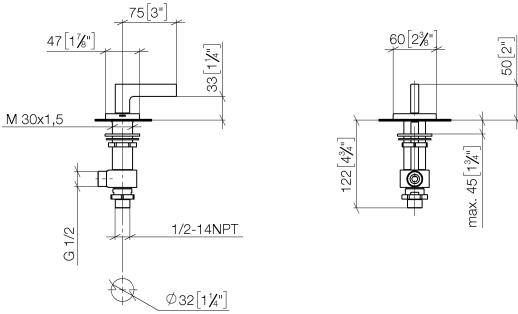


Fits: CL.1, CYO

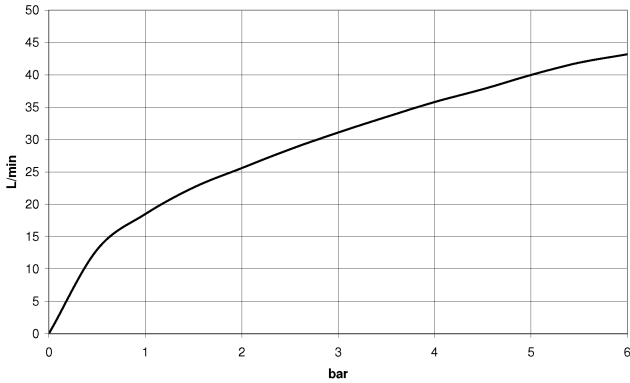
| | | |
|--|-------------------------------|---------------|
|  | Brushed Dark Platinum | 20 004 716-99 |
|  | Chrome | 20 004 716-00 |
|  | Brushed Platinum | 20 004 716-06 |
|  | Brushed Durabross (23kt Gold) | 20 004 716-28 |
|  | Brushed Champagne (22kt Gold) | 20 004 716-46 |
|  | Champagne (22kt Gold) | 20 004 716-47 |

ST 010 102 5705

mm [inches]



Flow rate chart



Codes & Standards

| | | | |
|-----|---------------------------------|--------------|--------------------|
| ADA | ASME A112.18.1/CSA B125.1 | NSF/ANSI 372 | NSF/ANSI/CAN 61 |
|-----|---------------------------------|--------------|--------------------|

Certificates

IAPMO_N-4976. LGA_28687. IAPMO_4976 (4). IAPMO_6397.



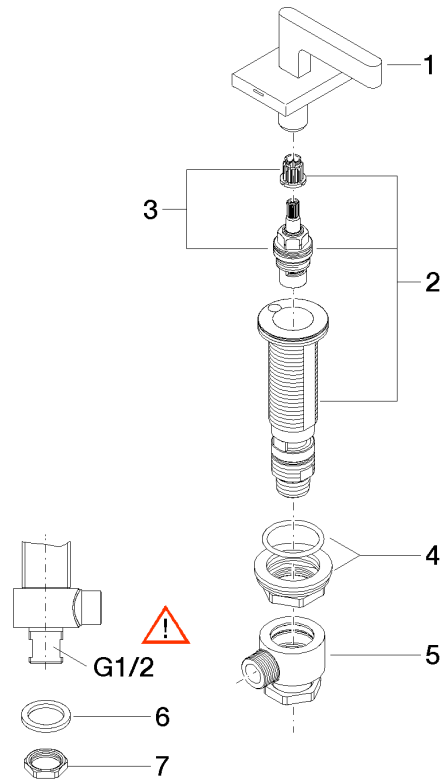
CL.1 Three-hole basin mixer without pop-up waste - Brushed Dark Platinum

CL.1

ST 010 102 5705

ST 010 102 5705

Parts for other finishes can be found here: [Chrome](#)



Spare parts list

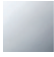
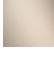
| No. | Item Number | Name | Quantity used | Delivery time |
|-----|--------------------|-----------------|---------------|---------------|
| 1 | 90 20 70 057 03-99 | handle (cold) | 1 | 30 |
| 2 | 04 17 11 058 52 90 | side panel | 1 | 2 |
| 3 | 90 90 03 152 00 90 | top | 1 | 2 |
| 4 | 04 23 10 032 78 90 | fixing set | 1 | 2 |
| 5 | 04 17 11 023 10 90 | distributor | 1 | 2 |
| 6 | 09 30 11 059 90 | disc | 1 | 2 |
| 7 | 09 23 10 012 90 | nut | 1 | 2 |

ST 010 102 5705

- hole diameter 32 mm
- rosette 60 x 47 mm
- with hot marking



Fits: CL.1, CYO

| | | |
|--|-------------------------------|---------------|
|  | Brushed Dark Platinum | 20 004 715-99 |
|  | Chrome | 20 004 715-00 |
|  | Brushed Platinum | 20 004 715-06 |
|  | Brushed Durabross (23kt Gold) | 20 004 715-28 |
|  | Brushed Champagne (22kt Gold) | 20 004 715-46 |
|  | Champagne (22kt Gold) | 20 004 715-47 |



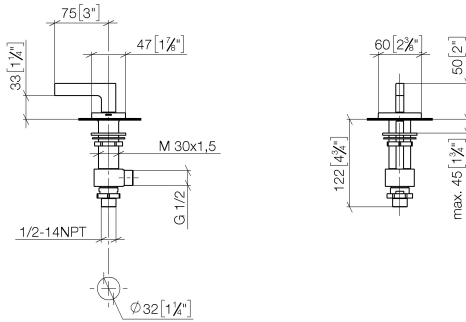
CL.1 Three-hole basin mixer without pop-up waste - Brushed Dark Platinum

CL.1

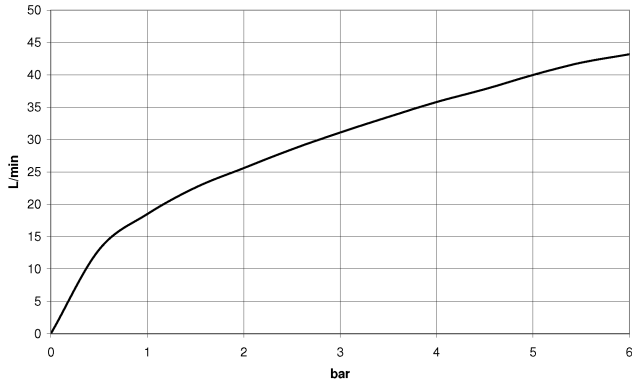
ST 010 102 5705

ST 010 102 5705

mm [inches]



Flow rate chart



Codes & Standards

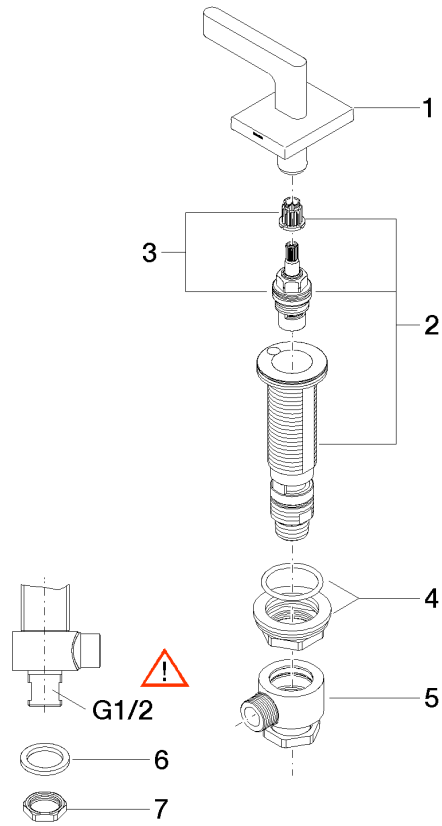
| | | | |
|-----|---------------------------------|--------------|--------------------|
| ADA | ASME A112.18.1/CSA B125.1 | NSF/ANSI 372 | NSF/ANSI/CAN 61 |
|-----|---------------------------------|--------------|--------------------|

Certificates

IAPMO_N-4976. LGA_28687. IAPMO_4976 (4). IAPMO_6397.

ST 010 102 5705

Parts for other finishes can be found here: [Chrome](#)



Spare parts list

| No. | Item Number | Name | Quantity used | Delivery time |
|-----|--------------------|----------------|---------------|---------------|
| 1 | 90 20 70 057 02-99 | handle (hot) | 1 | 30 |
| 2 | 04 17 11 058 53 90 | side panel | 1 | 2 |
| 3 | 90 90 03 153 00 90 | top | 1 | 2 |
| 4 | 04 23 10 032 78 90 | fixing set | 1 | 2 |
| 5 | 04 17 11 023 10 90 | distributor | 1 | 2 |
| 6 | 09 30 11 059 90 | disc | 1 | 2 |
| 7 | 09 23 10 012 90 | nut | 1 | 2 |